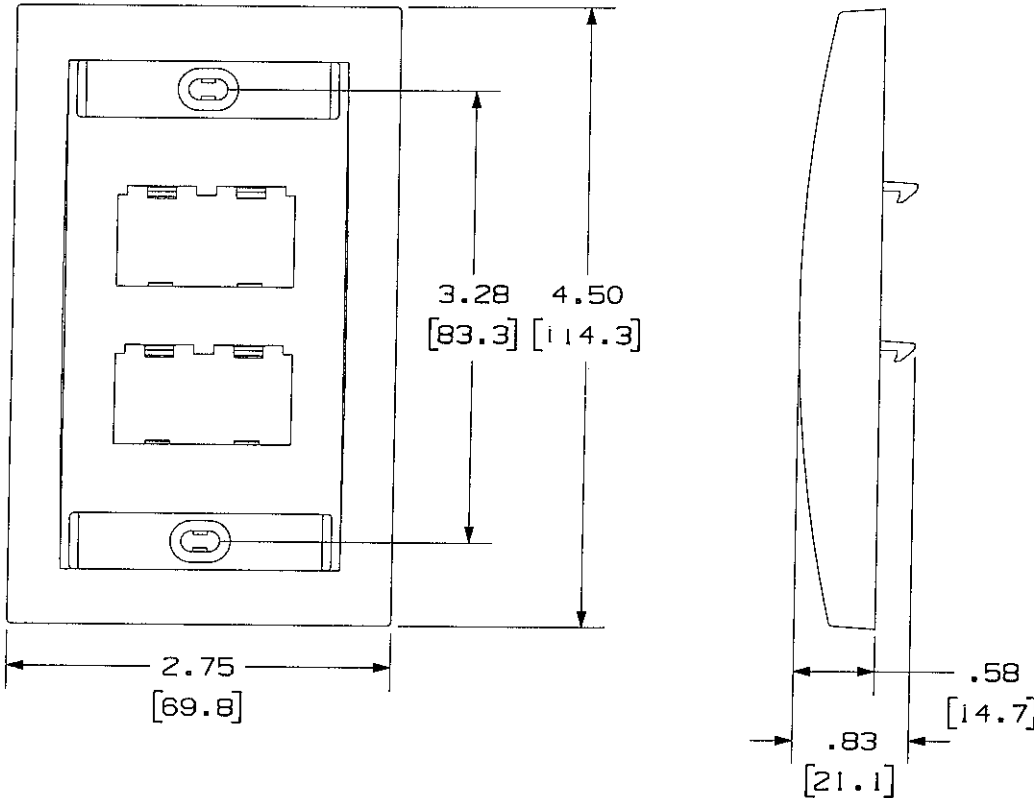


THIS COPY IS PROVIDED ON A RESTRICTED BASIS AND IS NOT TO BE USED IN ANY WAY DETRIMENTAL TO THE INTERESTS OF PANDUIT CORP.

| | |
|-------------|-----------------------------------|
| PANDUIT P/N | WEIGHT |
| CFPE4**Y | .71 LB/10 PCS (322.1 g/10 PCS) |



- NOTES:
1. SEE CURRENT CATALOG FOR ADDITIONAL PART NUMBER SUFFIXES TO INDICATE COLOR AND OR PACKAGE QUANTITY.
 2. SEE CATALOG FOR COMPLETE LIST OF PARTS APPLICABLE FOR USE WITH THIS PART.
 3. DIMENSIONS IN [] ARE IN METRIC.
 4. PART INCLUDES:
 - 1- FACEPLATE
 - 2- LABEL
 - 2- LABEL COVER
 - 2- MOUNTING SCREW

NETWORK SYSTEMS
MAY 25 2006
ENGINEERING DEPT

| | |
|------------------------|------|
| DRAWING FILENAME | SIZE |
| M02479EL_DC118_00A.PRT | A |

MINI-COM 4 POSITION EXECUTIVE
SERIES FACEPLATE CUSTOMER DRAWING

| | | |
|---|------------------|--------------------------|
| PANDUIT™ CORP. TINLEY PARK, ILL 60477 | I.I. NUMBER | N/A |
| | PRODUCT SPEC | N/A |
| THIRD ANGLE PROJECTION | WORK INSTRUCTION | N/A |
| | SCALE | NONE |
| DRAWN BY JsP | MATERIAL: | PART NO. CFPE4**Y |
| DATE 4-26-06 | ABS | DRAWING NO. 02479-118 |

| | | | | | | | | | |
|-----|---------|-----|--------------------|------------------------|-----------|---|------|-----|-----|
| REV | DATE | BY | CHK | DESCRIPTION | ECN | R | CUST | SUP | OTH |
| R | 4-26-06 | JsP | <i>[Signature]</i> | RELEASED TO PRODUCTION | 02479-118 | | | | |